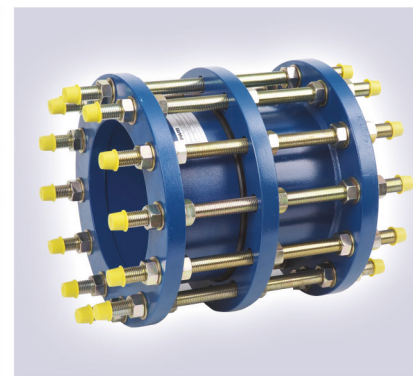
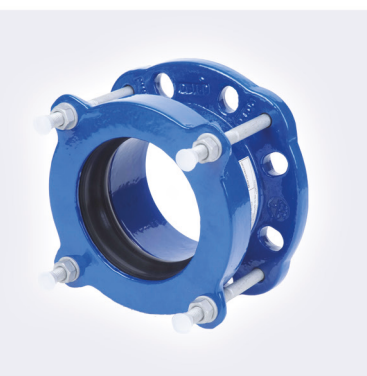
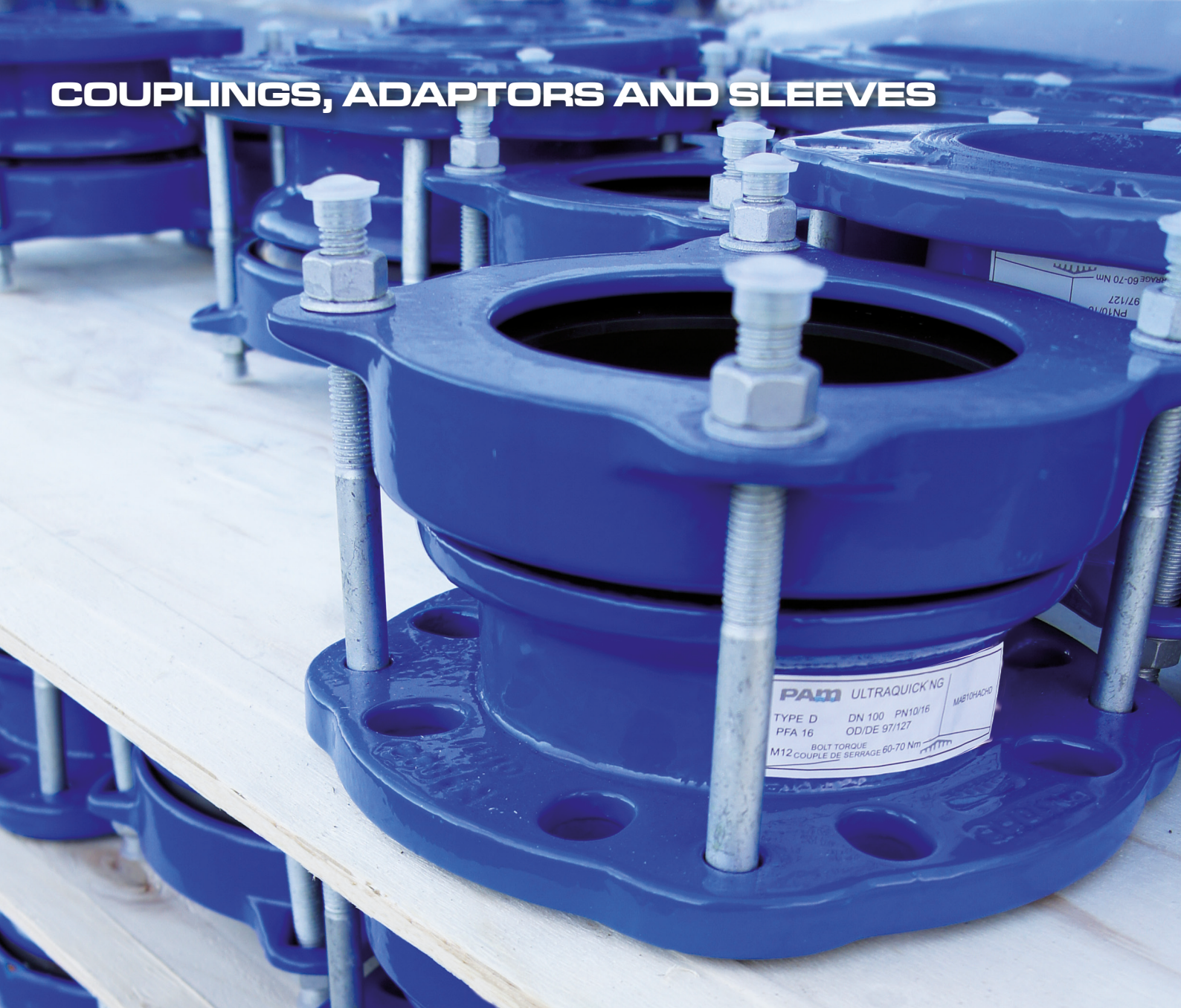


COUPLINGS, ADAPTORS AND SLEEVES



Comprehensive pipe solutions

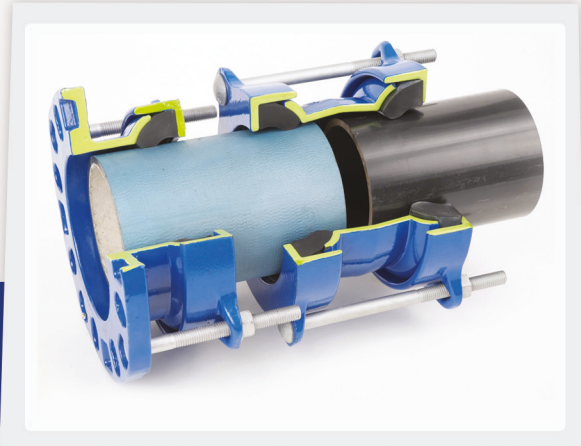
World leader in comprehensive ductile iron pipeline systems, Saint-Gobain PAM designs, produces and sells a range of solutions dedicated to water supply, water distribution and sewerage. A strategy of continuous innovation and development followed at the R&D Centre for over 70 years has made of Saint-Gobain PAM products the reference choice for all professionals concerned with the quality, sustainability, ease of assembly and maintenance of networks.



Designed in our French Research and Development Centre, the Saint-Gobain PAM couplings and adaptors are assembled at the Toul (France) and Lavis (Italy) plants and then undergo a wide range of design tests at the Research and Development Centre at Mairières (France) to evaluate their performance.

Saint-Gobain PAM moves into the





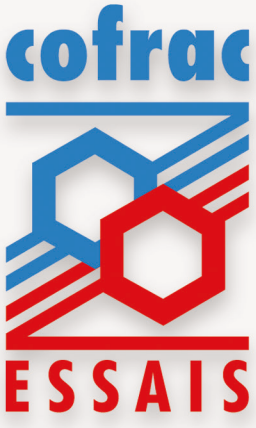
Valve tests are carried out at the COFRAC accredited Saint-Gobain PAM laboratory in compliance with standards NF EN 1074-2, NF EN 545:2010. The couplings and adaptors are manufactured and assembled at ISO 9000 and 14001 sites certified for protection and respect of the environment. They all have French sanitary compliance certificates (Attestation de Conformité Sanitaire) and are ideally suited for drinking water distribution.

Expert in the field of Tapware and hydraulic fountain fittings, Saint-Gobain PAM constantly innovates to maintain its position of leader. Through the work of its researchers, numerous patents have been filed for products in the couplings and adaptors range: Quick, Ultra Range, Link, Replink, etc.



maintenance of water distribution networks

Thanks to technical sales teams, Saint-Gobain PAM offers its clients technical support at all stages of the project by offering a perfectly adapted and complete range of solutions. It offers training courses in the installation of its products (Pam Academy) and also provides its website: www.pamline.com



Couplings, Adaptors and Sleeves

Contents



Flange adaptors

p.8

These are junction products between a flanged item and a spigot end pipe or tube. They are designed to connect with pipes or tubes of various constructions. They can also be dedicated for a particular pipe material and in this case are offered in anchored version. The anchored version eliminates the need for concrete thrust blocks.



Couplings

p.15

These are junction products between two spigot ends. They are designed to be connected with pipes of various construction or dedicated to one particular material.



Repair clamps

p.22

These are products which allow the fast and efficient repair of damaged pipes.



Dismantling joints

p.26

With an adjustable length of wide stroke, they are products designed to simplify the installation dismantling of a flanged item in a network. Due to their design, they allow an anchored connection and do not require the use of concrete thrust blocks.

Fields of use and conformity in standards

The couplings, adaptors and sleeves from Saint-gobain PAM are designed :

- To connect valve equipment to pipes or tubes,
 - In order to facilitate the installation of new valves and to replace old ones when maintaining networks.
 - When installing valves in new networks located in cluttered subsoil or when installing valves in chambers, in water treatment plants.
- To connect two pipes or two tubes to each other,
- To repair damaged pipes or tubes and so reduce the water losses,
- To facilitate the installation and the dismantling of valve equipment.
 - When installing double-flanged valves, in order to make maintenance of the valve chamber.

All couplings, adaptors and sleeves from Saint-Gobain PAM are coated with epoxy powder 250 µm.

The networks are frequently composed of pipes or tubes of different construction: grey iron, ductile iron, steel, PE.

The range of couplings, adaptors and sleeves from Saint-gobain PAM has the right answer to most of reparation and repair needs, whether with products designed for multi construction or whether with dedicated products.

Light, very convenient to manipulate, and very easy to install, the couplings, adaptors and sleeves from Saint-Gobain PAM are divided into several generic groups.

Ranges

Connection between a flange and a spigot

Flange adaptors



UltraQUICK ultra large tolerance flange adaptor for pipes multi-materials

These adaptors are suitable for pipes of grey iron, ductile iron, fiber-cement, and for steel tubes or PVC.

These adaptors are used for pipes of outside diameter from OD 49mm to 348mm without any discontinuity. The PFA is 16 bar (DE range is from 20 to 30mm).

Wide angular deflexion of +/- 6°.

Certain models have a flange with multiple drilling in DN 200 and DN > 200 flange drilling PN 10 and PN 16.



QUICK GS dedicated flange adaptor for ductile iron pipes

These adaptors are available:

- in anchored version from DN 60 to DN 200,
- in non-anchored version from DN 60 to DN 300.

PFA 16 bar for both versions.

Flange multi drilled ISO PN 10 and 16.



QUICK GS dedicated flange adaptor for large diameter for ductile iron pipes

These adaptors are available:

- In non-anchored version from DN 350 to DN 1000.

PFA 10 bar and 16 bar.



QUICK PVC anchor flange adaptor for PVC tubes

These adaptors are available:

- From DN 40/OD 40 to DN 200/OD 225 PFA 16 bar
- Anchored version and non-anchored version
- PFA 16 bar for both versions

Some models have a flange with multiple drilling (DN).

The adaptors DN 200 are multi drilled ISO PN 10 and 16.



QUICK BLUTOP dedicated flange adaptor for BLUTOP pipes

These adaptors are available:

- From DN 60-65/OD 75 to DN 150/OD160
- Anchored version and non-anchored version
- PFA 16 bar for both versions



QUICK PE dedicated flange adaptor mechanical anchored for PE tubes

These adaptors are available:

- From DN 50/OD 63 to DN 400/OD 400

PFA 16 bar (DN 50/OD 63 to DN250/OD 280)

PFA 10 bar (DN 300/OD 315 to DN 400/OD 400)

Multi drilled ISO PN 10 and 16.

Ranges

Connection of spigot end pipes

Couplings



UltraLINK ultra large tolerance coupling for pipes of various construction

This coupling is suitable for pipes in grey iron, ductile iron, fiber-cement, and PVC. These couplings are offered for pipes of outside diameter from OD 49mm to 348mm without discontinuity. The PFA is 16 bar (DE range from 20 to 30mm) Wide angular deflexion of +/- 6° for each joint (12° for couplings) (12° between the two pipes)



LINK GS dedicated coupling for ductile iron pipes

The range is available from:

- DN 40 to DN 100 - PFA 40 bar,
- DN 125 to DN 300 - PFA 25 bar,
- DN 350 to DN 600 - PFA 16 bar.



LINK GS dedicated coupling for large diameter ductile iron

The range is available from:

- DN 350 to DN 1000.

PFA 16 bar



LINK PE anchored coupling mechanic for PE tubes

The range is available from:

- DN 50/OD 63 to DN 300/OD 315

PFA 16 bar (DN 50/OD 63 au DN 250/OD 280)
PFA 10 bar (DN 300/OD 315)



FixLINK anchored dedicated coupling for ductile iron pipes

Enables the connecting together of two pipes or valve spigot ends. With smaller dimensions for tightening only on one side to make the installation easier, specially in congested areas (subsoil or chamber). The range of anchored couplings is available from:

- DN 60 to DN 250 - PFA 16 bar,
- DN 300 - PFA 10 bar.



FixLINK PVC-PE anchored dedicated coupling for PVC and PE tubes

Similar to the previous model, this coupling is suitable for PVC and PE. For connection tubes it is recommended to use reinforcement rings. The range of anchored couplings is available from:

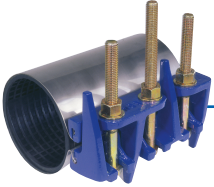
- OD 63 to OD 280 - PFA 16 bar.

Utilization possible with PE 80 and PE 100 tubes, PN 10 and PN 16. It's recommended to use reinforcement ring for PE pipes.

Ranges

Pipes and repair tubes

Repair clamps



RepLINK stainless steel - repair collar for pipes of various construction, with ductile iron clamps and stainless steel band

This collar is suitable for pipes in grey iron, ductile iron, fiber-cement, and for PVC tubes. Enables the repair of a damaged pipe without replacing it, through the installation of a simple external bandage.

These repair collars are offered for pipes or tubes outside diameters from OD 48mm to 516mm, with 3 lengths h 200, 300 and 500mm (according to OD) and with 1 or 2 clamps (according to OD) to make the installation easier.



Allinox repair collar for pipes of various construction, stainless steel band

This collar is suitable for pipes in grey iron, ductile iron, fiber-cement, and for PVC tubes. These couplings are offered for pipes of outside diameter from OD 60 mm to 138 mm.



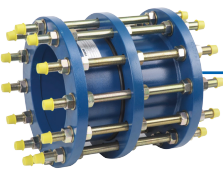
RepLINK ductile iron - repair collar for pipes of various materials

Construction, fully in ductile iron.

This collar is suitable for pipes in grey iron, ductile iron, fiber-cement, and for PVC tubes. According to the same principle as previously, this type of product permits a rigid bandage. It is suitable for repairing clear breakages, avoiding bad alignment risks. These repair collars are offered for pipes or tubes outside diameters from OD 54mm to 466mm.

For OD > 218mm the collar has 3 clamps to make the installation easier.

Installation of flanged equipment – dismantling joints, adjustable, self-anchoring



Dismantling joints type JP and type PO for flanged valves

This dismantling joint, installed next to a flanged valve, will make easier its removal and reinstallation on to the network, while ensuring the mechanical strength continuity. These adaptable adjustable product lengths permit the bridging of gaps between two mating flanges.

It makes for easier installation of the gaskets between flanges including the metal reinforced gasket. These dismantling joints are available from:

- DN 40 to DN 2000 PFA 10, 16 and 25 bar.



Dismantling joint type PF for RAP without flanges

This dismantling joint installed next to a valve without-flanges and the self-restrained dismantling joint Type PF for butterfly valve without flanges allow the installation or removal of an equipment between two fixed flanges of a pipeline. The wide application sliding system reaches a 50 mm displacement to allow the installation and removal of the equipment.

- DN 50 to DN 1200 PFA 10 and 16 bar.

Flange adaptor

UltraQUICK Ultra large tolerance flange adaptor for pipes in ductile, fiber cement, steel and PVC
DN 50/OD 49 to DN 300/OD 348 - PFA 16 bar



Products references

TYPE	OD range		DN flange	L1	a	D (mm)	J(2)	Weight (kg)	Reference
	Mini	Maxi							
A	49	71	50/60	82-106	17	178	4-32	3.3	MAA50HACHA
B	62	84	50/60/65/80	82-106	17	196	4-32	4.1	MAA50HACHB
C	80	102	65/80	83-107	18	209	5-31	4.3	MAA65HACHC
D	97	127	100	84-115	17	242	7-30	6.0	MAB10HACHD
E	123	153	125/150	87-118	17	280	8-29	7.9	MAB12HACHE
F	151	181	150	87-119	17	297	9-27	8.5	MAB15HACHF
FP	170	200	200	88-120	18	337	10-26	10.7	MAB20HACHP
G	196	226	200	95-127	18	348	12-35	10.7	MAB20HACHG
H	211	241	200	105-138	18	363	13-34	11.0	MAB20HACHH
I	235	265	250	97-130	20	402	14-33	15.2	MAB25HACHY
J	260	290	250	113-147	20	409	15-36	14.4	MAB25HACHJ
JR	285	315	300	101-135	22	459	16-35	20.2	MAB30HACHR
K	306	336	300	106-141	22	459	18-40	19.4	MAB30HACHK
L	318	348	300	117-152	22	469	18-48	18.9	MAB30HACHL

For each model the maximum OD is higher than the minimum OD of the following model:

Ex : OD Maxi A = 71 OD Mini B = 62 - Margin = 9

OD Maxi H = 241 OD Mini I = 235 - Margin = 6

Performances :

- Cover the whole range of external diameters from 49 to 348mm, without discontinuity.
- Possible angular deflection of 6°

Materials :

- Tie bars and nuts: zinc coated steel
- Gasket: EPDM.

Installation :

- Connection with all flanged parts with standardized flanges in accordance with: ISO 7005-2, ISO 2531, EN 1092-2.
- Installation with an EPDM tab gasket
- Tightening torque on tie bars: 60 to 70 N.m
- Not to be connected with a wafer, Lug or flange

Flange adaptor

Centering tab gasket for ultra large tolerance flange adaptor

Products references



TYPE	Weight (kg)	Reference	
		PN 10	PN 16
A-B	0.020	MJA60UAXA	MJA60UAXA
C	0.030	MJA80UAXA	MJA80UAXA
D	0.040	MJB10UAXA	MJB10UAXA
E	0.060	MJB12UAXA	MJB12UAXA
F	0.090	MJB15UAXA	MJB15UAXA
FP-G-H	0.120	MJB20UAXA	MJB20UAXA
I-J	0.120	MJB25UAXA	162274
JR-K-L	0.090	MJB30UAXA	162275

Table of use according to material of the pipe or tube

TYPE	Ultra		Old grey iron						Ductile iron	Steel	PVC	Cement Fiber			
	OD mini	OD Maxi	Pipes with lead seal		Pipes express		Pipes Rapid					OD	OD	DN / Class	OD
			DN	OD	DN	OD	DN	OD							
A	49	71	40 50	56 66	40 50	57 67	-	-	40 50	56 66	51 - 54 - 57 60.3 - 63.5 - 70	50 63	40 Cl25 50 Cl10	60 66	
B	62	84	50 60	66 77	50 60	67 77	60	81.4	50 60	66 77	63.5 - 70 - 76.1 82,5	63 75	50 Cl10, Cl25 60 Cl10-15, Cl25	66,74 76,80	
C	80	102	80	98	80	98	-	-	80	98	88.9 - 101.6	90	60 Cl30 80 Cl10-15, Cl125	84 96,100	
D	97	127	100	118	100	118	80 100	1022 123	100	118	101.6 - 108 114.3 - 127	110 125	80 Cl125, Cl30 100 Cl10-15, Cl20-25	100, 104,118,124	
E	123	153	125	144	125	144	125	149	125	144	133 - 139.7 141.3 - 152.4	125 140	100 Cl30 125 Cl10-15, Cl20-25	130 145,149	
F	151	181	150	170	150	170	150	175	150	170	159 - 168.3 177.8	160	125 Cl30, 150 Cl10, Cl15, Cl20	161, 170,174,178	
FP	170	200	175	196	175	196	-	-	-	-	177.8 - 193.7	200	150 Cl15, Cl20 150 Cl25, Cl30	174,178, 184,192	
G	196	226	200	222	200	222	175	201	200	222	219.1	200 225	175 Cl15, Cl20-25, Cl30 200 Cl10	199,207,225, 220	
H	211	241	200	222	200	222	200	227	200	222	219.1	225	175 Cl30, 200 Cl10, Cl15, Cl20-25	225, 220,228,238	
I	235	265	-	-	-	-	-	-	-	-	244.5	250	200 Cl20-25, Cl30	238,246	
J	260	290	250	274	250	274	250	279	250	274	273	-	250 Cl15	280	
JR	285	315	-	-	-	-	-	-	-	-	-	315	250 Cl20-25, Cl30	292,306	
K	306	336	300	326	300	326	300	331	300	326	323.9	315	300 Cl10, Cl15	324,334	
L	318	348	300	326	300	326	300	331	300	326	323.9	-	300 Cl10, Cl15	324,334	

Flange adaptor

QUICK GS simple or anchored for ductile iron pipes
DN 60 to DN 300 (simple version) and DN 60 to DN 200 (anchored version) – PFA 16 bar



Products references

DN	OD	Weight QUICK GS SIMPLE	Reference	Weight QUICK GS ANCHORED	Reference
60-65	77	1.80	MAA60CACH	1.85	MAA60CBCH
80	98	2.25	MAA80CACH	2.30	MAA80CBCH
100	118	2.65	MAB10CACH	2.70	MAB10CBCH
125	144	3.65	MAB12CACH	3.70	MAB12CBCH
150	170	4.60	MAB15CACH	4.70	MAB15CBCH
200*	222	7.15	MAB20CACH	7.25	MAB20CBCH
250*	274	10.90	MAB25CACH	-	-
300*	326	13.80	MAB30CACH	-	-

(*)Flange with multiple drillings PN 10 and PN 16.

Materials:

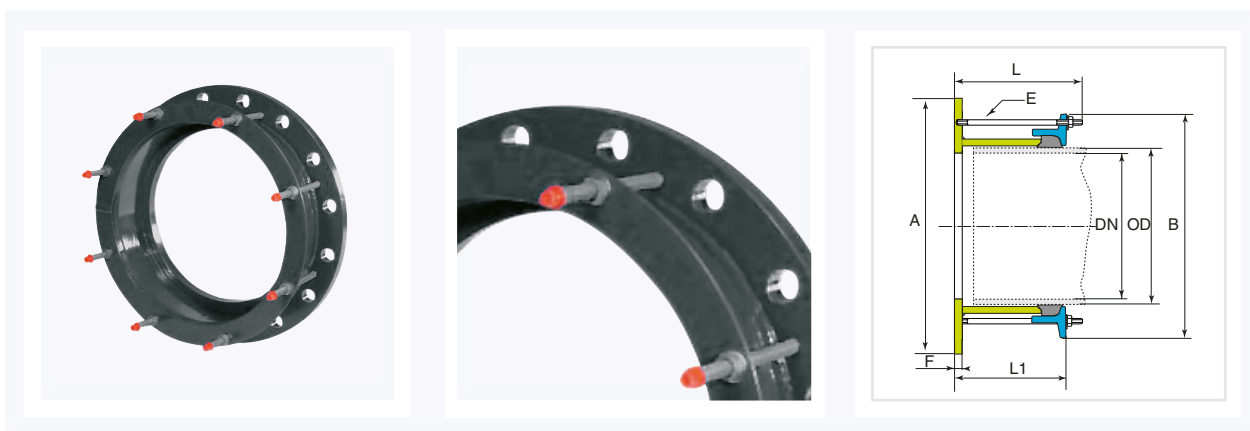
- Tightness gasket: EPDM
- Counter-flange: ductile iron coated with epoxy powder 250 µm mini

Installation:

- Utilization with ductile iron pipes in accordance with EN 545 and ISO 2531.
- Utilization of the simple (non-anchored) type possible with grey iron pipes with external diameters in conformance with the above stated values.
- Connection with all flanged parts with standardized flanges in accordance with: ISO 7005-2, ISO 2531, EN 1092-2.
- Tightening torque on bolts: M16 = 7.5m.daN, M20 = 10m.daN, M24 = 15m.daN.

Flange adaptor

QUICK GS simple for ductile iron pipes
DN 350 to DN 1000 - PFA 10 and 16 bar



Products references

DN	OD Nominal	OD Tolerance	L	L1	F	B	E	J		angular deflection*
								Mini	Maxi	
350	378	+2.5 -5.5	148	108	18	469	8-x-M12x 140	12	25	±1.5
400	429	+2.5 -5.5	148	108	18	520	8-x-M12x 140	12	25	±1.5
450	480	+2.9 -4	153	113	23	572	10-x-M12x140	12	25	±1.5
500	532	+3.5 -4.5	153	113	23	624	10-x-M12x140	12	25	±1.25
600	635	+3-5	153	113	23	727	10-x-M12x140	12	25	±1.25
700	738	+3.5 -4.5	153	113	23	830	12-x-M12x140	12	25	±1
800	842	+1-7	153	113	23	932	12-x-M12x140	12	25	±0.75
900	945	+2-6	169	134	25	1054	14-x-M16x160	16	40	±0.75
1000	1048	+1-7	169	134	25	1156	14-x-M16x160	16	40	±0.75

* a in degrees

DN	PFA 10 bar			PFA 16 bar		
	A	Weight (kg)	Reference	A	Weight (kg)	Reference
350	505	24.2	MAB35WCBR	520	25.4	MAB35WCAR
400	565	27.9	MAB40WCBR	580	29.5	MAB40WCAR
450	615	35.7	MAB45WCBR	640	39.6	MAB45WCAR
500	670	40.3	MAB50WCBR	715	48.0	MAB50WCAR
600	780	49.2	MAB60WCBR	840	61.7	MAB60WCAR
700	895	60.2	MAB70WCBR	910	62.6	MAB70WCAR
800	1015	73.1	MAB80WCBR	1025	74.5	MAB80WCAR
900	1115	105.0	MAB90WCBR	1125	107.0	MAB90WCAR
1000	1230	121.0	MAC10WCBR	1255	128.0	MAC10WCAR

Materials and coating:

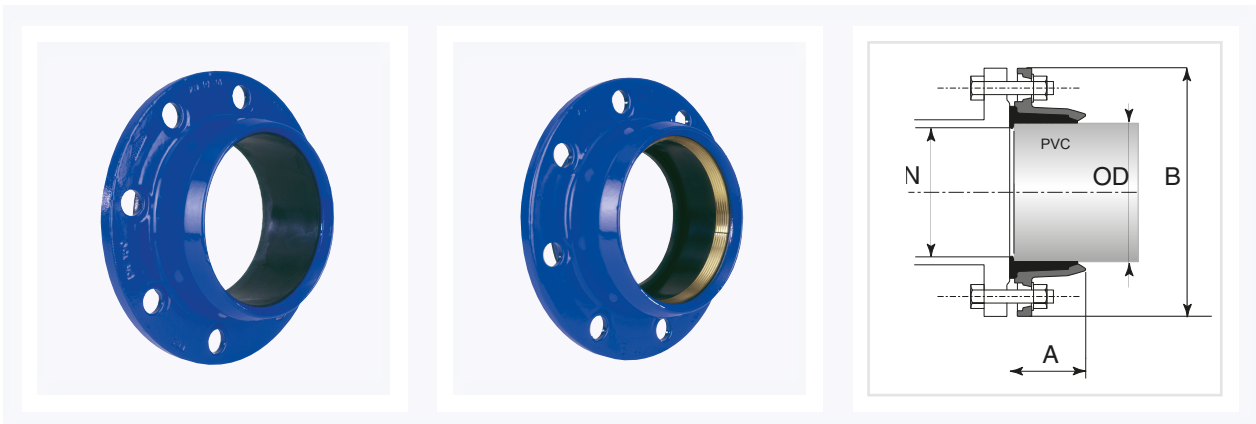
- Body and gland: steel with inside and outside Rilsan coating of minimum thickness 250µm.
- Tie bars and nuts: zinc coated steel with rilsan coating of thickness 80µm.
- Gasket : EPDM.

Installation:

- Connection with all flanged parts with standardized flanges in accordance with: ISO 7005-2, ISO 2531, EN 1092-2.
- Full flange for standard flat gasket or metal reinforced gasket.
- Tightening torque on bolts: M12 = 55 to 65 N.m, M16 = 95 to 110 N.m

Flange adaptor

QUICK PVC simple and anchored for PVC tubes
DN 40/OD 40 to DN 200/OD 225 - PFA 16 bar



Products references

DN	OD	A	B	Quick PVC simple		Quick PVC anchored	
				Weight (kg)	Reference	Weight (kg)	Reference
40	40	50	150	1.2	MAL40DACH	1.3	MAL40DBCH
40/50	50	53	165	1.5	MAL50DACH	1.6	MAL50DBCH
50	63	54	165	1.8	MAL60DACH	1.9	MAL60DBCH
60/65	63	54	185	2.0	MAL65DACH	2.1	MAL65DBCH
60/65	75	58	185	2.3	MAL75DACH	2.4	MAL75DBCH
80	90	62	200	2.6	MAL90DACH	2.8	MAL90DBCH
100	110	68	220	3.1	160754	3.4	MAM11DBCH
125	125	73	250	4.1	160755	4.3	MAM12DBCH
125	140	76	250	4.1	160756	4.3	MAM14DBCH
150	160	82	285	5.2	160757	5.7	MAM16DBCH
200*	200	91	340	7.5	160758	8.2	MAM20DBCH
200*	225	93	340	7.1	160759	7.7	MAM22DBCH

(*)Flange with multiple drillings PN 10 and PN 16.

Field of use:

- Utilization for PVC tube with PFA 16 bar

Construction:

- Gasket: EPDM
- Anchorage ring: brass

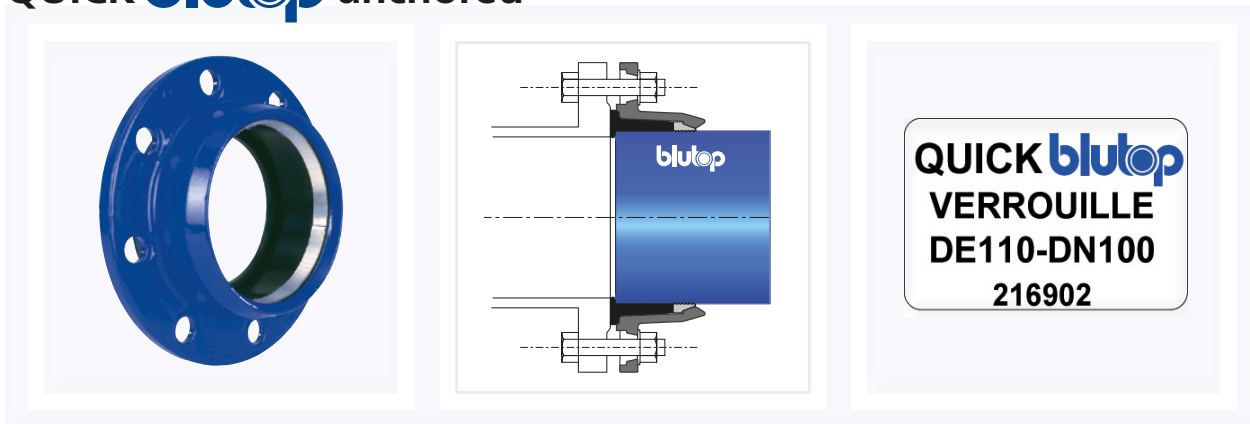
Installation:

- Connection with all flanged parts with standardized flanges in accordance with: ISO 7005-2, ISO 2531, EN 1092-2.

Flange adaptor

QUICK BLUTOP simple and anchored for BLUTOP pipes
DN 60/OD 75 to DN 150/OD 160, PFA 16 bar

QUICK **blutop** anchored

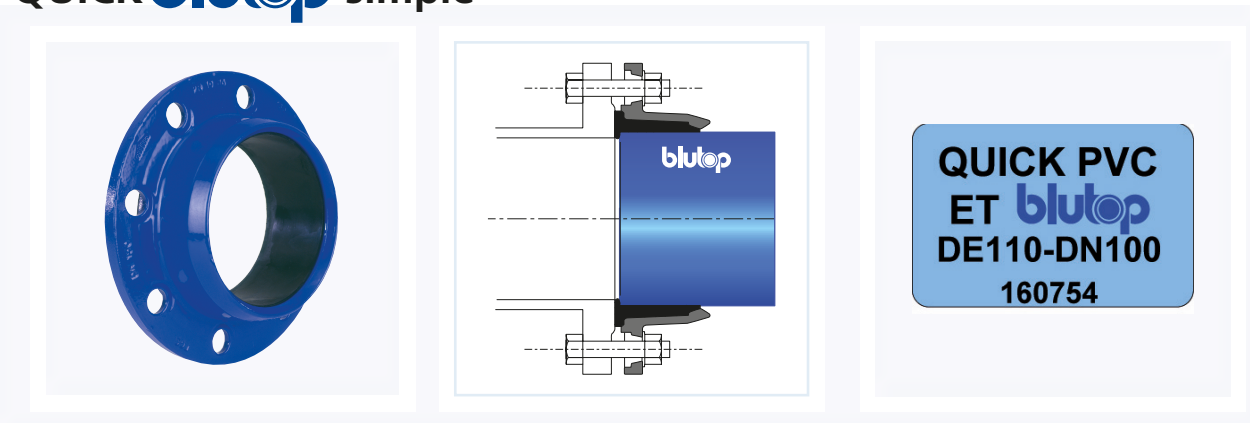


QUICK blutop
VERROUILLE
DE110-DN100
216902

Products references

DN	OD	A	B	Weight (kg)	Reference
60/65	75	58	185	2.5	226300
80	90	62	200	2.8	216901
100	110	68	220	3.4	216902
125	125	73	250	4.3	216906
125	140	76	250	5.0	233658
150	160	82	285	5.7	226301

QUICK **blutop** simple



QUICK PVC
ET blutop
DE110-DN100
160754

Products references

DN	OD	A	B	Weight (kg)	Reference
60/65	75	58	185	2.3	MAL75DACH
80	90	62	200	2.6	MAL90DACH
100	110	68	220	3.1	160754
125	125	73	250	4.1	160755
150	160	82	285	5.2	160757

Field of use:

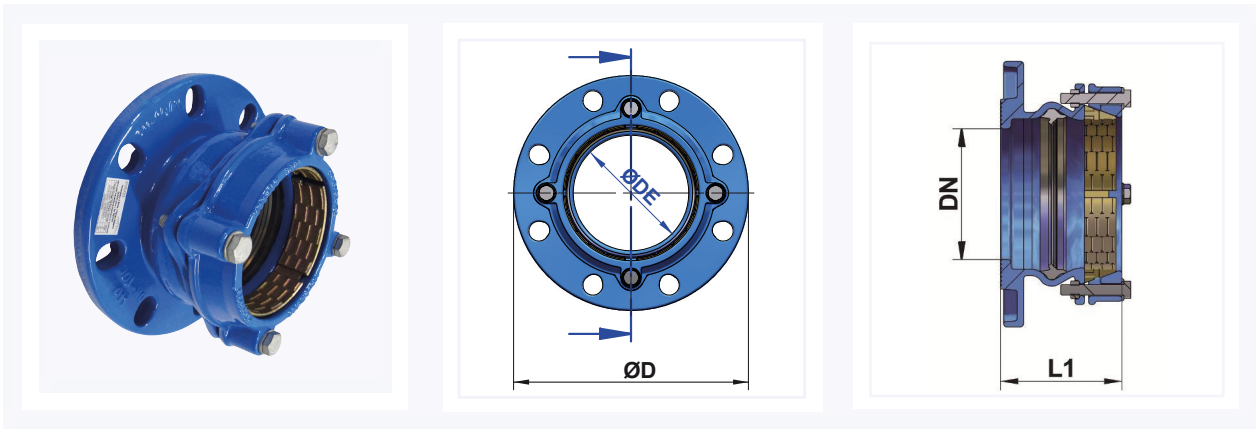
- QUICK BLUTOP anchored: only for BLUTOP pipes OD 60 to OD 150
- QUICK BLUTOP simple: for BLUTOP pipes and PVC tubes OD 60 to OD 150

Materials:

- Tightness gasket: EPDM
- Locking ring: stainless steel

Flange adaptor

QUICK PE MECHANICAL ANCHORED for tubes PE
OD 63 to OD 400 - PFA 16 bar



Products references

DN	Ø DE	Ø D	L1	Weight (kg)	Reference PN10-16
50/60/65	63	175	109	3.30	MAL63UFCH
50/60/65	75	175	109	3.70	MAL75UFCH
80	90	200	114	4.78	MAL90UFCH
100	110	224	119	5.68	MAM11UFCH
100	125	254	119	7.00	MAM12UFCH
125	125	254	119	7.00	MAN12UFCH
125	140	254	124	7.50	MAM14UFCH
150	160	285	139	9.00	MAM16UFCH
150	180	285	139	10.10	MAM18UFCH
200	200	340	162	15.92	MAM20UFCH
200	225	340	172	17.50	MAM22UFCH
250	250	405	184	21.40	MAM25UFCH
250	280	405	177	21.70	MAM28UFCH
300	315	472	207	27.50	MAM31UFCH
400	400	580	317	67.50	MAM40UFCH

Field of use:

- Tube Polyethylene PEHD 80, PEHD 100 and PVC with PFA 16 bar (except DE 315 and DE 400 PFA = 10 bar)

Materials:

- Tightness gasket: EPDM
- Grip ring: steel S 355 JR (F-114) with Geomet coating

Installation:

- Connection with all flanged parts with standardized flanges in accordance with: ISO 7005-2, ISO 2531, EN 1092-2.



Couplings

UltraLINK ultra large tolerance for ductile pipes, fiber cement, steel and PVC
OD 49 to OD 348 - PFA 16 bar



Products references

TYPE	OD range		L	L1	D	J	Weight (kg)	Reference
	Diameter Mini	Diameter Maxi		Mini-Maxi		Mini-Maxi		
A	49	71	182	104-152	176	4 - 20	3.6	MCX65RAAHA
B	62	84	182	104-152	190	4 - 20	4.1	MCX75RAAHB
C	80	102	182	107-155	208	5 - 20	4.9	MCX90RAAHC
D	97	127	232	127-188	240	7 - 25	7.7	MCY11RAAHD
E	123	153	232	135-197	267	8 - 25	8.9	MCY14RAAHE
F	151	181	232	144-207	295	9 - 29	10.4	MCY16RAAHF
FP	170	200	262	150-214	315	10 - 32	11.5	MCY19RAAHP
G	196	226	262	159-224	342	12 - 35	13.9	MCY21RAAHG
H	211	241	262	163-228	357	13 - 38	14.8	MCY22RAAHH
I	235	265	262	171-237	381	14 - 45	16.2	MCY25RAAHY
J	260	290	292	179-246	407	15 - 48	18.1	MCY27RAAHJ
JR	285	315	292	187-255	434	16 - 55	21.3	MCY30RAAHR
K	306	336	292	194-263	455	18 - 58	22.9	MCY32RAAHK
L	318	348	292	198-267	467	18 - 62	23.7	MCY33RAAHL

- Cover the whole range of external diameters from 49 to 348mm, without discontinuity
- Possible angular deflection of $2 \times 6^\circ = 12^\circ$ between the two pipes

Table of use according to material of the pipe or tube: see p.16

Materials:

- Tie bars and nuts: zinc coated steel
- Gaskets: EPDM

Installation:

- Connection of the spigots of two pipes of different construction or with different diameters
- Tightening torque on tie bars: 60 to 70 N.m

Couplings

Table of use for Ultra range



Table of use according to material of the pipe or tube

TYPE	Ultra		Old grey iron						Ductile iron		Steel	PVC	Fiber cement	
	OD Mini	OD Maxi	Pipes with lead seal		Express pipes		Rapid pipes		DN	OD			OD	OD
			DN	OD	DN	OD	DN	OD						
A	49	71	40 50	56 66	40 50	57 67	-	-	40 50	56 66	51 - 54 - 57 60.3 - 63.5 - 70	50 63	40 Cl25 50 Cl10	60 66
B	62	84	50 60	66 77	50 60	67 77	60	81.4	50 60	66 77	63.5 - 70 - 76.1 82.5	63 75	50 Cl10, Cl25 60 Cl10-15, Cl25	66.74 76.80
C	80	102	80	98	80	98	-	-	80	98	88.9 - 101.6	90	60 Cl30 80 Cl10-15, Cl125	84 96
D	97	127	100	118	100	118	80 100	102 123	100	118	101.6 - 108 114.3 - 127	110 125	80 Cl125, Cl30 100 Cl10-15, Cl20-25	100,104 118,124
E	123	153	125	144	125	144	125	149	125	144	133 - 139.7 141.3 - 152.4	125 140	100 Cl30 150 Cl10, Cl15, Cl20	130 145,149
F	151	181	150	170	150	175	150	170	150	170	159 - 168.3 177.8	160	125 Cl30, 150 Cl10, Cl15, Cl20	161, 170,174,178
FP	170	200	175	196	175	196	-	-	-	-	177.8 - 193.7	200	150 Cl15, Cl20 150 Cl25, Cl30	174,178, 184,192
G	196	226	200	222	200	222	175	222	200	201	219.1	200 225	175 Cl15, Cl20-25, Cl30 200 Cl10	199,207,225 220
H	211	241	200	222	200	222	200	222	200	227	219.1	225	175 Cl30, 200 Cl10, Cl15, Cl20-25	225, 220,228,238
I	235	265	-	-	-	-	-	-	-	-	244.5	250	200 Cl20-25, Cl30	238,246
J	260	290	250	274	250	274	250	274	250	274	273	-	250 Cl15	280
JR	285	315	-	-	-	-	-	-	-	-	-	315	250 Cl20-25, Cl30	292,306
K	306	336	300	326	300	326	300	326	300	326	323.9	315	300 Cl10, Cl15	324,334
L	318	348	300	326	300	326	300	326	300	326	323.9	-	300 Cl10, Cl15	324,334

For each model the maximum OD is higher than the minimum OD of the following model:

Ex : OD Maxi A = 71 OD Mini B = 62 - Margin = 9

OD Maxi H = 241 OD Mini I = 235 - Margin = 6

Couplings

LINK GS for ductile iron pipes

DN 40/OD 55 to DN 600/OD 636 PFA 40, 16 and 25 bar



Products references

DN	PFA	OD		Approx. L	L1	E	Weight (kg)	Angular deflection	Reference
		Mini	Maxi						
40	40	55	58	126	60	168	3.26	5°	160280
60		76	79	127	60	191			MCA60KAEH
80		97	100	127	60	213			MCA80KAEH
100		117	120	133	65	233			6.18
125	25	143	146	140	70	259	7.60	4°	MCB12KADH
150		168	172	145	75	287	9.60		MCB15KADH
200		220	223	153	80	342	14.00		MCB20KADH
250		272	275	164	90	403	18.10		MCB25KADH
300	16	323	327	170	95	457	22.20	3°	MCB30KADH
350		375	379	183	100	511	28.30		MCB35KAAH
400		426	430	185	100	564	33.40		MCB40KAAH
450		477	481	192	105	617	37.90		MCB45KAAH
500		529	533	193	105	671	45.60		MCB50KAAH
600		631	636	200	110	777	58.60		MCB60KAAH

SPARE PARTS - references

DN	40	50	60	80	100	125	150	200
Gasket	JGA40BA	JGA50BA	JGA60BA	JGA80BA	JGB10BA	JGB12BA	JGB15BA	JGB20BA
Screwed nuts with key of 24	Quantity : 2				Quantity : 4			
	JXM18HD61, 1 BOLT CAST IRON GS DE 18X61X25							
DN	250	300	350	400	450	500	600	
Gasket	JGB25BA	JGB30BA	JGB35BA	JGB40BA	JGB45BA	JGB50BA	JGB60BA	
	Quantity : 2 with key of 27				Quantity : 2 with key of 30			
Bolts	JXM20HD70, 1 BOLT CAST IRON GS DE 20X71X33.5				JXM20HD110 1 BOLT STEEL DACROMET HM20 DE 110X55		JXM20HD120 1 BOLT STEEL DACROMET HM 20 DE 120X60	

Materials and coating:

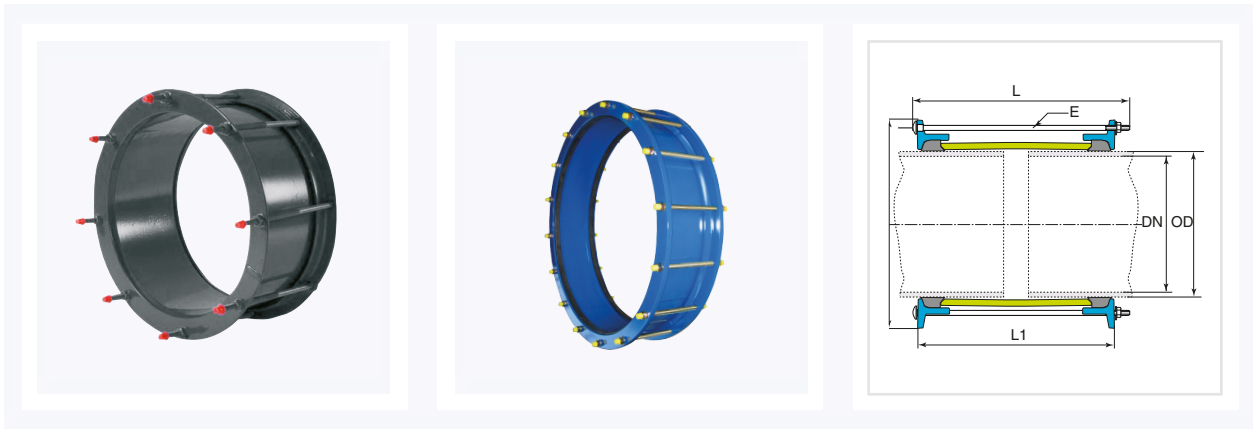
- Gasket: EPDM + Bolts: DN 40 to 400: ductile iron GS
DN 450 to 600 Steel class 6/8

Installation:

- Maximum torque on bolts: DN 40-200 8 m.daN, DN 250-600 12 m.daN
- Angular deflection : DN 40-150 ± 2.5°, DN 200-300 ± 2°, DN 350-600 ± 3°

Couplings

LINK GS simple for ductile iron pipes
DN 350 to DN 1000 - PFA 16 bar



Products references

DN	OD nominal and tolerance	A	L	L1	E		J		Angular deflection	Weight (kg)	Reference
					Number of bolts and thread	Mini	Maxi				
350	378+2.5 - 5.5	469	243	184	8 x M12	25	50	±1.5	21.2	MCB35WAAR	
400	429+2.5 - 5.5	520	243	184	8 x M12	25	50	±1.5	23.7	MCB40WAAR	
450	480+2.9 - 4	571.5	243	184	10 x M12	25	50	±1.5	26.2	MCB45WAAR	
500	532+3.5 - 4.5	624	243	184	10 x M12	25	50	±1.25	29.2	MCB50WAAR	
600	635+3 - 5	726.5	243	184	10 x M12	25	50	±1.25	34.2	MCB60WAAR	
700	738+3.5 - 4.5	830	243	184	12 x M12	25	50	±1	39.6	MCB70WAAR	
800	842+1 - 7	931.5	243	184	12 x M12	25	50	±0.75	45	MCB80WAAR	
900	945+2 - 6	1054	276	222	14 x M16	38	76	±0.75	88.3	MCB90WAAR	
1000	1048+1 - 7	1156	276	222	14 x M16	38	76	±0.75	96.8	MCC10WAAR	

Materials and coating:

- Body and glands: steel with inside and outside Rilsan coating of minimum thickness 250µm
- Tie bars and nuts: zinc coated steel
- Gaskets: EPDM

Installation:

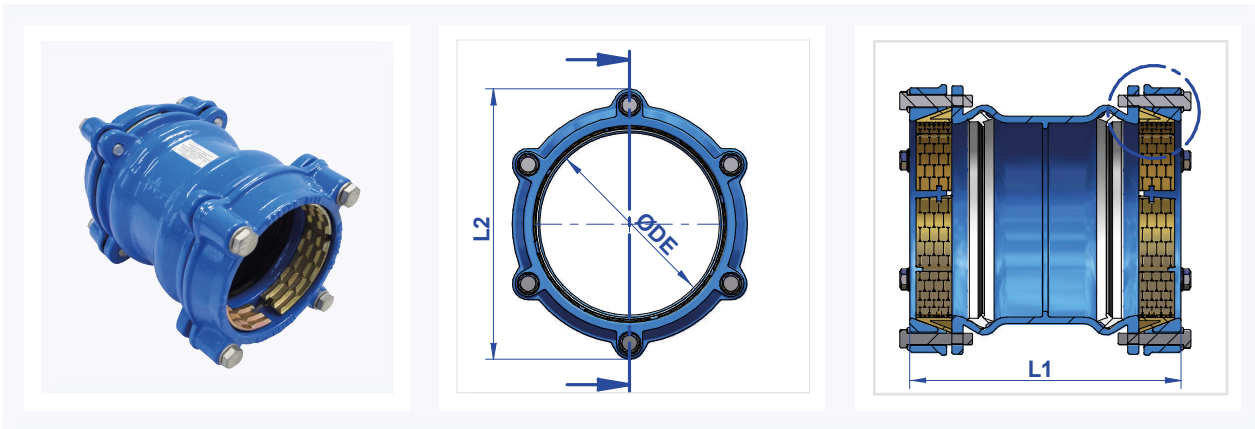
- Tightening torque on bolts: M12 = 55 to 65 N.m, M16 = 95 to 110 N.m



This coupling will only be installed in a valve chamber. Don't install it in buried version.

Couplings

LINK PE MECHANICAL ANCHORED for PE tubes OD 63 to OD 315 - PFA 16 bar



Products references

Ø DE	L1	L2	Weight (kg)	Reference PN 10 - 16
63	191	133	3.54	MCL63UBAH
75	191	146	4.64	MCL75UBAH
90	201	161	5.86	MCL90UBAH
110	205	181	6.70	MCM11UBAH
125	211	196	7.92	MCM12UBAH
140	211	212	8.88	MCM14UBAH
160	232	235	10.72	MCM16UBAH
180	232	255	12.70	MCM18UBAH
200	290	284	19.94	MCM20UBAH
250	320	335	25.54	MCM25UBAH
315	360	400	33.00	MCM28UBAH

Field of use:

- Tube Polyethylene PEHD 80 and 100 with PFA 16 bar (OD 315 PFA = 10 bar)

Materials:

- Tightness gasket: EPDM
- Grip ring: steel S 355 JR (F-114) with Geomet coating

Installation:

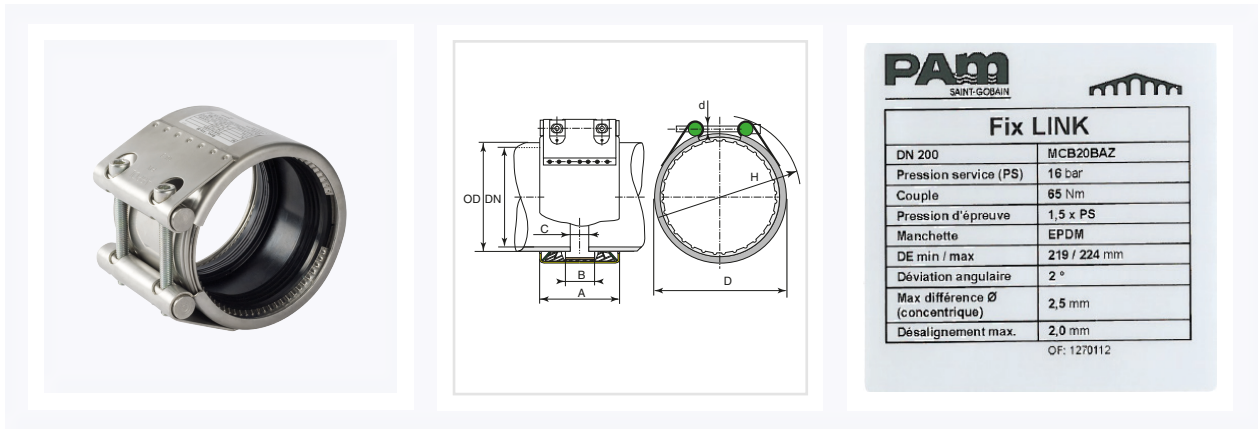
- Connection with all flanged parts with standardized flanges in accordance with: ISO 7005-2, ISO 2531, EN 1092-2.



Couplings

FixLINK GS anchored for ductile iron pipes

DN 60/OD 76 to DN 250/OD 329 - PFA 16 bar, DN 300 - PFA 10 bar



Products references

DN	OD		A	B	C (Maxi)	D	H	d Vis CHc	Operating torque Nm	Weight (kg)	PFA	Reference
	Mini	Maxi										
60	76	78	94	45	15	96	137	2xM8	15	0.95	16	MCA60NBAZ
80	95	100	94	45	15	122	152	2xM8	20	1.15	16	MCA80NBAZ
100	115	120	95	45	15	148	168	2xM8	20	1.25	16	MCB10NBAZ
125	141	146	95	45	15	168	190	2xM10	25	1.89	16	MCB12NBAZ
150	167	171	95	45	15	191	213	2xM10	30	2.14	16	MCB15NBAZ
200	219	224	141	60	35	254	283	3xM12	65	7.10	16	MCB20NBAZ
250	270	276	141	60	35	305	330	3xM12	80	8.74	16	MCB25NBAZ
300	322	329	141	60	35	359	379	3xM12	80	9.9	10	MCB30NBAZ

Materials:

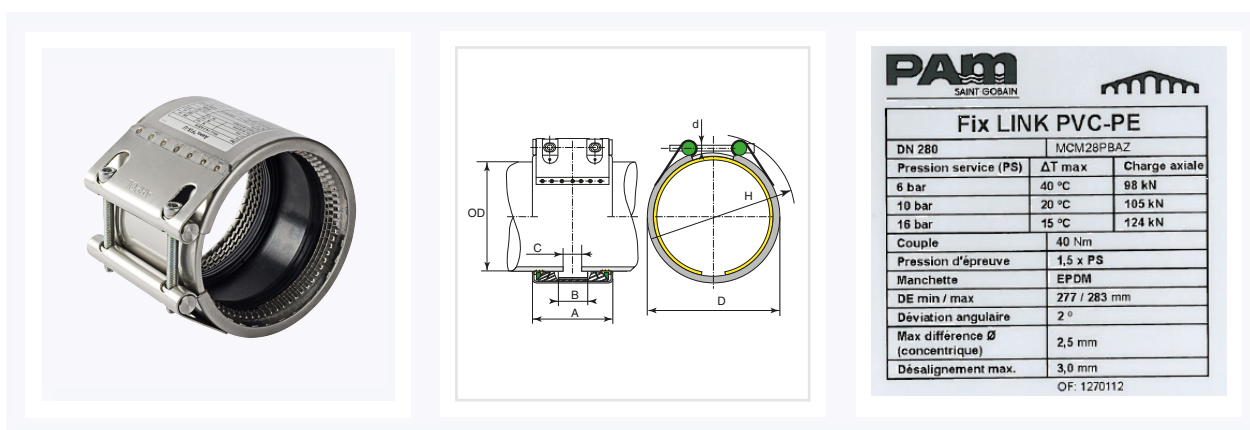
- Full stainless steel construction.
- Tightness gasket: EPDM elastomer

Installation:

- Maximum angular deflection: +/- 2°
- Tightening torque on bolts specified on product label.

Couplings

FixLINK anchored for PVC and PE tubes
OD 63 to OD 280 - PFA 16 bar



Products references

OD	OD		A	B	C (Maxi)	D	H	d Vis CHc	Operating torque Nm	Weight (kg)	Reference
	Mini	Maxi									
63	62	64	99	31	5	85	102	2xM8	10	0.9	MCL63PBAZ
75	74	75	117	31	5	97	136	2xM8	10	1.4	MCL75PBAZ
90	89	91	117	31	5	112	148	2xM8	15	1.6	MCL90PBAZ
110	108	111	117	45	5	132	164	2xM10	15	1.7	MCM11PBAZ
125	123	126	118	45	5	149	176	2xM10	15	2.5	MCM12PBAZ
140	138	142	118	45	5	164	189	2xM10	15	2.7	MCM14PBAZ
160	158	162	118	45	5	184	207	2xM10	15	2.9	MCM16PBAZ
180	178	182	201	95	10	210	263	3xM12	30	7.8	MCM18PBAZ
200	198	203	201	95	10	217	281	3xM12	30	8.2	MCM20PBAZ
225	222	227	201	95	10	237	303	3xM12	30	8.6	MCM22PBAZ
250	247	253	201	95	10	262	325	3xM12	40	9.4	MCM25PBAZ
280	277	283	201	95	10	287	353	3xM12	40	11.5	MCM28PBAZ

Materials:

- Full stainless steel construction
- Tightness gasket: EPDM elastomer

Installation:

- Maximum angular deflection: +/- 2°
- Tightening torque on bolts specified on product label
- Connection of PE tubes: use the reinforcement ring

Reinforcement ring: products references

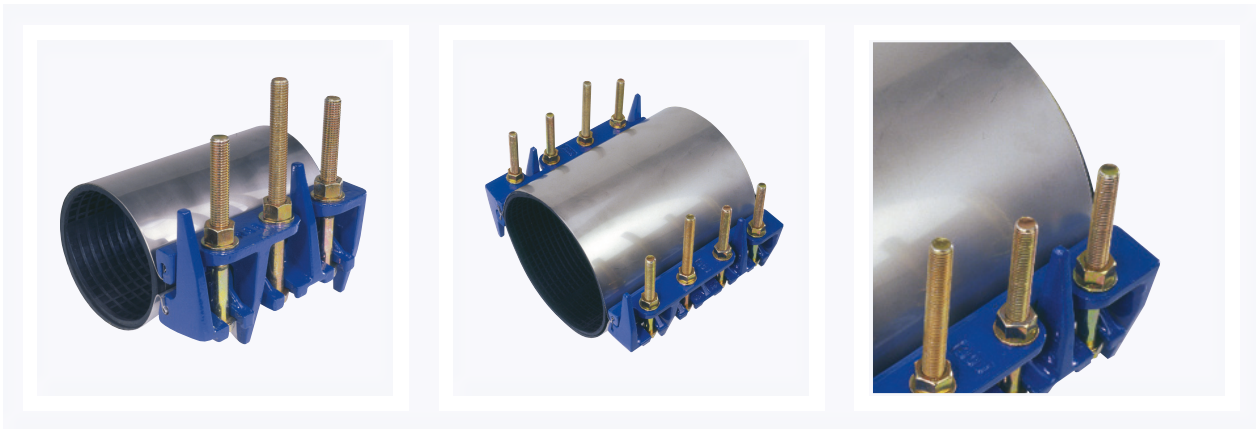
OD tube PE	PE 80 PN 10 SDR 13.6		PE 100 PN 10 SDR 17		PE 100 PN 16 SDR 11		Length mm	Weight (kg)
	Reference	DI	Reference	DI	Reference	DI		
63	MBL63QEBZ	53.6	MBL40QGBZ	55.6	MBL63QHAZ	51.4	175	0.24
75	MBL75QEBZ	64.0	MBL50QGBZ	66.2	MBL75QHAZ	61.4		0.27
90	MBL90QEBZ	76.8	MBL63QGBZ	79.4	MBL90QHAZ	73.6		0.31
110	MBM11QEBZ	93.8	MBL75QGBZ	97.1	MBM11QHAZ	90.0	200	0.45
125	MBM12QEBZ	106.6	MBL90QGBZ	110.3	MBM12QHAZ	102.3		0.50
140	MBM14QEBZ	119.4	MBM11QGBZ	123.5	MBM14QHAZ	114.5		0.55
160	MBM16QEBZ	136.4	MBM12QGBZ	141.2	MBM16QHAZ	130.9	225	0.89
180	MBM18QEBZ	153.5	MBM14QGBZ	158.8	MBM18QHAZ	147.3		0.96
200	MBM20QEBZ	170.6	MBM16QGBZ	176.5	MBM20QHAZ	163.6		1.10
225	MBM22QEBZ	191.8	MBM18QGBZ	198.5	MBM22QHAZ	184.1	225	1.65
250	MBM25QEBZ	213.12	MBM20QGBZ	220.6	MBM25QHAZ	204.5		1.80
280	MBM28QEBZ	238.8	MBM22QGBZ	247.1	MBM28QHAZ	229.1		2.03

Installation:

- Insert a reinforcement ring at each end of the PE tube

Repair clamp

RepLINK belt in stainless and steel, clamp in ductile iron
OD 48 to 516



Products references

Single clamp

OD range	PFA	L = 200 mm		L = 300 mm		OD range	PFA	L = 200 mm		L = 300 mm	
		Weight	Reference	Weight	Reference			Weight	Reference	Weight	Reference
48-56	32	3.6	MRX50AAXHE	-	-	162-174	17	4.5	MRY17AAXHE	6.9	MRY17AAXHG
56-64	31	3.7	MRX60AAXHE	-	-	168-182	16.5	4.6	MRYA7AAXHE	7.0	MRYA7AAXHG
60-68	30	3.8	MRX65AAXHE	-	-	174-186	16	4.7	MRY18AAXHE	7.0	MRY18AAXHG
68-78	29	3.8	MRX70AAXHE	-	-	186-198	15	4.8	MRY19AAXHE	7.3	MRY19AAXHG
78-88	28	3.9	MRX80AAXHE	5.9	MRX80AAXHG	198-210	13.5	4.9	MRY20AAXHE	7.4	MRY20AAXHG
88-98	26	4.0	MRX90AAXHE	6.1	MRX90AAXHG	210-223	13	5.0	MRY22AAXHE	7.5	MRY22AAXHG
98-108	25	4.1	MRY10AAXHE	6.2	MRY10AAXHG	222-234	12	5.0	MRY23AAXHE	7.7	MRY23AAXHG
108-118	23	4.1	MRY11AAXHE	6.3	MRY11AAXHG	234-246	11	5.1	MRY24AAXHE	7.8	MRY24AAXHG
114-126	22.5	4.2	MRY12AAXHE	6.4	MRY12AAXHG	243-255	10.5	5.2	MRY25AAXHE	7.9	MRY25AAXHG
126-138	21.5	4.3	MRY13AAXHE	6.5	MRY13AAXHG	260-272	9.5	5.3	MRY27AAXHE	8.0	MRY27AAXHG
138-150	20	4.4	MRY14AAXHE	6.7	MRY14AAXHG	273-285	9	5.4	MRY28AAXHE	8.3	MRY28AAXHG
140-153	20	4.4	MRY15AAXHE	6.7	MRY15AAXHG	285-297	8.5	5.5	MRY29AAXHE	8.4	MRY29AAXHG
150-162	19	4.4	MRY16AAXHE	6.8	MRY16AAXHG	298-310	8	5.6	MRY30AAXHE	8.6	MRY30AAXHG

Double clamp

OD range	PFA	L = 200 mm		L = 300 mm		L = 500 mm	
		Weight	Reference	Weight	Reference	Weight	Reference
88-110	26	7.2	MRY10BAXHE	-	-	-	-
114-137	22.5	7.4	MRY12BAXHE	11.5	MRY12BAXHG	-	-
138-160	20	7.6	MRY15BAXHE	11.7	MRY15BAXHG	-	-
160-182	17	7.7	MRY17BAXHE	11.8	MRY17BAXHG	-	-
182-202	15.5	8.0	MRY20BAXHE	12.2	MRY20BAXHG	20.8	MRY20BAXHH
202-224	13.5	8.1	MRY22BAXHE	12.3	MRY22BAXHG	21.0	MRY22BAXHH
217-240	12.5	8.2	MRY24BAXHE	12.4	MRY24BAXHG	21.2	MRY24BAXHH
240-262	10.5	-	-	12.8	MRY25BAXHG	21.7	MRY25BAXHH
262-284	9.5	-	-	12.9	MRY28BAXHG	22.3	MRY28BAXHH
273-296	9	-	-	13.4	MRY29BAXHG	22.6	MRY29BAXHH
296-319	8	-	-	13.3	MRY30BAXHG	23.0	MRY30BAXHH
324-346	6.5	-	-	13.6	MRY33BAXHG	23.8	MRY33BAXHH
346-368	6	-	-	13.8	MRY35BAXHG	23.8	MRY35BAXHH
365-387	5.5	-	-	14.0	MRY37BAXHG	24.3	MRY37BAXHH
387-410	4.5	-	-	14.3	MRY40BAXHG	25.6	MRY40BAXHH
410-432	4	-	-	14.6	MRY42BAXHG	26.1	MRY42BAXHH
428-450	3.5	-	-	14.8	MRY44BAXHG	25.8	MRY44BAXHH
450-474	3	-	-	15.6	MRY46BAXHG	27.0	MRY46BAXHH
470-492	2.5	-	-	15.7	MRY48BAXHG	27.3	MRY48BAXHH
492-516	2.5	-	-	15.8	MRY50BAXHG	27.8	MRY50BAXHH

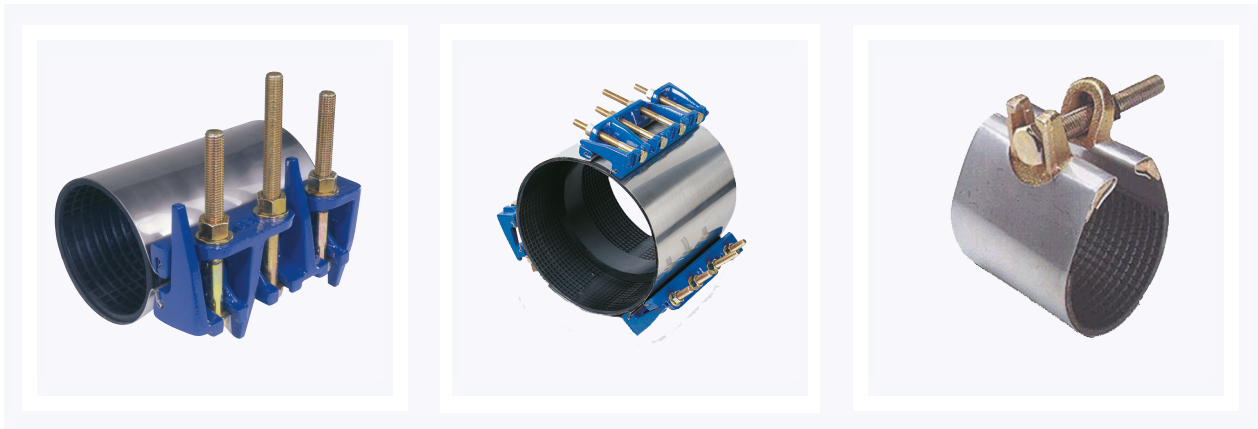
Materials and coating:

- Band : INOX.
- Gasket : EPDM.

- Clamp : Ductile iron, coating epoxy
- Screw, bolts, washers: steel zinc

Repair clamp

RepLINK belt in stainless and steel, clamp in ductile iron
OD 48 to 516



Products references

OD range	Iron				PVC-U	Steel	
	Grey			Ductile		OD range	Reference
	Lead seal	Express	Rapide	Express-standard			
56	MRX50AAXHE ou MRX60AAXHE	MRX60AAXHE	-	MRX50AAXHE	MRX50AAXHE	48.3	MRX50AAXHE
						54	MRX50AAXHE
66	MRX65AAXHE ou MRX70AAXHE	MRX65AAXHE	-	MRX65AAXHE	MRX60AAXHE	57	MRX60AAXHE
						60.3	MRX60AAXHE
77	MRX70AAXHE ou MRX80AAXHE	MRX70AAXHE	MRX80AAXHE	MRX70AAXHE	MRX70AAXHE	70	MRX70AAXHE
						73	MRX70AAXHE
98	MRX90AAXHE ou MRY10AAXHE	MRY10AAXHE	MRY10AAXHE	MRX90AAXHE	MRX90AAXHE	76.1	MRX70AAXHE
						108	MRY10AAXHE
118	MRY12AAXHE	MRY12AAXHE	MRY12AAXHE	MRY12AAXHE	MRY11AAXHE	114.3	MRY14AAXHE
144	MRY14AAXHE	MRY14AAXHE	MRY14AAXHE	MRY14AAXHE	MRY12AAXHE	159	MRY16AAXHE
170	MRX17AAXHE	MRX17AAXHE	MRX17AAXHE	MRX17AAXHE	MRY14AAXHE	168.3	MRY17AAXHE
196	MRY19AAXHE ou MRY20AAXHE	MRY19AAXHE	MRY20AAXHE	MRY19AAXHE	MRY16AAXHE	177.8	MRYA7AAXHE
						193.7	MRY19AAXHE
222	MRY22AAXHE ou MRY23AAXHE	MRY22AAXHE	MRY23AAXHE	MRY22AAXHE	MRY20AAXHE	219.1	MRY22AAXHE
						244.5	MRY24AAXHE
274	MRY27AAXHG ou MRY26AAXHG	MRY28AAXHG	MRY28AAXHG	MRY28AAXHG	MRY23AAXHE	273	MRY28AAXHE
						323.9	MRY33BAXHG
326	MRY33BAXHG	MRY33BAXHG	MRY33BAXHG	MRY33BAXHG	MRY23AAXHG	355.6	MRY35BAXHG
378	MRY37BAXHG	MRY37BAXHG	-	MRY37BAXHG	MRY30BAXHG	406.4	MRY40BAXHG
429	MRY42BAXHG	MRY42BAXHG	-	MRY42BAXHG	MRY40BAXHG		
480	MRY48BAXHG	MRY48BAXHG	-	MRY48BAXHG	MRY50BAXHG		

Remarks:

- It is recommended to carefully measure the external diameter of the pipe in order to confirm the choice of the collar
- Fibre-cement pipes: measure systematically the external diameter of the pipe before choosing the collar
- These collars are not used on PEHD pipes

Installation:

- Repair of porosities and cracks: the collar length must be at least equal to three times the length of the defect

Repair clamp

STAINLESS STEEL Repair clamp **ALLINOX** for Ductile Iron, Steel and PVC Pipes
OD 60 to OD 138



Products references

PFA	Length 200 mm, 3 bolts			
	OD pipe		Weight (kg)	Reference
	Mini	Maxi		
30	60	68	2.8	MRX65ABXXE
29	68	76	2.8	MRX70ABXXE
28	77	88	2.9	MRX80ABXXE
26	88	97	3.0	MRX90ABXXE
25	98	107	3.0	MRY10ABXXE
23	108	113	3.1	MRY11ABXXE
22.5	114	125	3.1	MRY12ABXXE
21.5	126	138	3.2	MRY13ABXXE

Materials :

Belt in stainless steel AISI 304 with a minimum thickness of 0.8 mm and minimum width of 200 mm.

Clamp in stainless steel AISI 304.

Repair clamp

RepLINK body in ductile iron

DN 40 to DN 175 - PFA 16 bar, DN 200 to DN 400 - PFA 10 bar



Products references

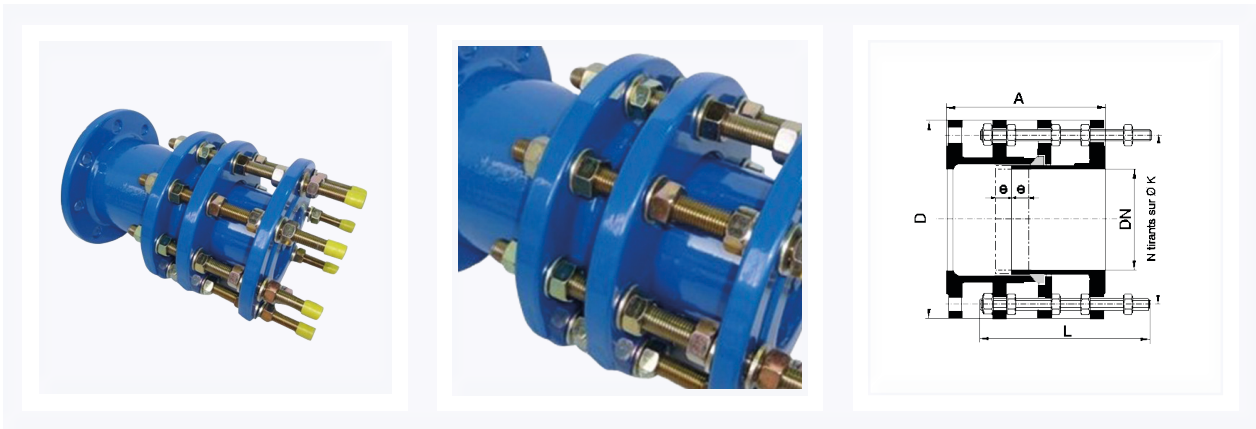
DN	Type	PFA	OD (mm)		Table of use according to material of the pipe or tube							Weight (kg)	Reference	
			Mini	Maxi	Grey iron			ductile iron	PVC U	Steel	Fiber-cement			
					Lead seal	Express	Rapide				Class 25			Class 30
40	W2-A	16	54	61	40	-	40	-	-	-	-	5.6	MRA40SACA	
50	W2-B		60	68	50	-	50	-	60.3	-	-	5.9	MRA50SACB	
60	W2-C		76	87	60		60	63	76.1	60	-	8.3	MRA60SACC	
80	W2-D		89	98	-		-	75	-	-	-	8.6	MRA80SACD	
80	W2-F		95	108	80		80	90	-	80	80	8.4	MRA80SACF	
100	W2-G		108	118	-		-	-	114.3	-	-	11.6	MRB10SACG	
100	W2-I		116	128	100		100	110	-	-	-	11.2	MRB10SACY	
125	W2-J		133	144	-		-	125	139.7	-	-	13.8	MRB12SACJ	
125	W2-L		142	153	125		125	140	-	-	-	13.7	MRB12SACL	
150	W2-M		159	172	-		-	-	167.3	-	125	21.3	MRB15SACM	
150	W2-P		168	184	150		150	160	-	-	-	22.3	MRB15SACP	
175	W2-Q		193	203	175		175	200	-	-	150	39.9	MRB17SACQ	
200	W3-H		10	216	250	200		-	225 250	219.1	175	175	25.5	MRB20SACH
275	W3-I			267	298	250		-	-	273	-	-	46	MRB25SACY
300	W3-J			315	358	300		-	315	318 323.9	-	-	59.6	MRB30SACJ
350	W3-K	368		400	350		350	400	-	-	376	85	MRB35SACK	
400	W3-N	400		429	400		400	400	406.4	418	-	89	MRB40SACN	
400	W3-W	444		466	400		400	450	457.2	-	458	114	MRB40SACW	

Materials:

- Body: ductile iron coated with bituminous paint.
- Gasket: NBR.
- Bolts: steel with zinc based coating.

Dismantling joints

Dismantling joints **PF type** for butterfly valves without flanges
DN 50 to 1200 - PFA 10 and 16 bar



Products references

DN	PFA 10 bar							PFA 16 bar								
	A	D	Ø K	Tie bars			Weight (kg)	Reference	A	D	Ø K	Tie bars			Weight (kg)	Reference
				N	M	L						N	M	L		
50	300	165	125	4	M16	250	10	160943	300	165	125	4	M16	250	10	160943
65	300	185	145	4	M16	250	16	163543	300	185	145	4	M16	250	16	163543
80	300	200	160	8	M16	250	21	160947	300	200	160	8	M16	250	21	160947
100	300	220	180	8	M16	250	20	163559	300	220	180	8	M16	250	20	163559
125	300	250	210	8	M16	250	34	166645	300	250	210	8	M16	250	34	166645
150	350	285	240	8	M20	290	34	163605	350	285	240	8	M20	290	34	163605
200	350	340	295	8	M20	290	48	163634	350	340	295	12	M20	290	64	160966
250	350	395	350	12	M20	290	74	163658	375	405	355	12	M20	290	102	163659
300	350	445	400	12	M20	290	100	173460	375	460	410	12	M24	320	116	160969
350	350	505	460	16	M20	290	124	166654	425	520	470	16	M24	320	162	173472
400	375	565	515	16	M24	320	160	163707	425	580	525	16	M27	350	204	171567
450	375	615	565	20	M24	320	176	-	425	640	585	20	M27	450	232	-
500	375	670	620	20	M24	340	202	160970	450	715	650	20	M30	380	312	163731
600	400	780	725	20	M27	340	268	160971	475	840	770	20	M33	400	416	163742
700	400	895	840	24	M27	340	330	163750	475	475	840	24	M33	400	444	173475
800	450	1015	950	24	M30	380	454	163762	525	525	950	24	M36	450	610	160942
900	450	1115	1050	28	M30	380	522	163770	525	525	1050	28	M36	450	692	173476
1000	475	1230	1160	28	M33	420	632	160950	550	550	1170	28	M39	450	890	160951
1200	525	1455	1380	32	M36	450	1200	163586	600	600	1390	32	M45	525	1392	173477

Materials :

Gasket: EPDM

Tie bars: Zinc plated steel

Installation:

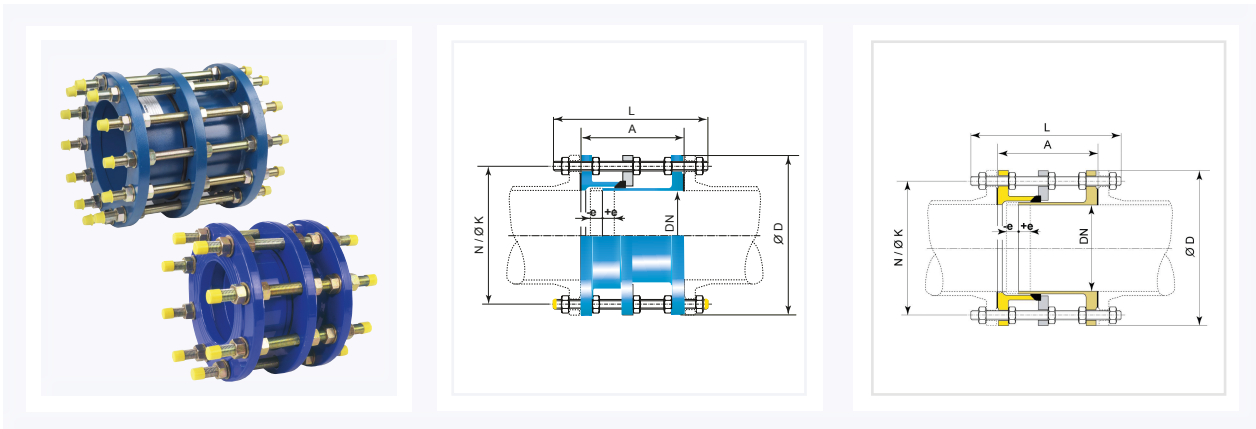
- Connection with all flanged parts equipped with standardized flanges in accordance with: ISO 7005-2 ISO 2531 - EN 1092-2.
- The flange of the sliding body has a stop and thus a standardized sealing surface at the gasket.

Compliance to standards:

- These equipments comply with the standard NFE 29220, especially concerning the flanges dimensions according to the NFE 29203 and 29209.
- Full-flange sliding body: the flange is according to ISO 7005 standard.
- The application range is higher than what is demanded in the NFE 29220.

Dismantling joints

Dismantling joints **JP type** and **PO type** for flanged valves
DN 40 to 2000 - PFA 10, 16 and 25 bar



Products references

DN	PFA10 and 16	PFA 10 bar				PFA 16 bar				PFA 25 bar				
	+/-	A	L	Weight (kg)	Reference	A	L	Weight (kg)	Reference	+/-	A	L	Weight (kg)	Reference
40	30	200	330	11	206620	200	330	11	206620	30	200	330	13	206348
50	30	200	330	13	206633	200	330	13	206633	30	200	330	17	206349
60	30	200	330	14	206634	200	330	14	206634	30	200	330	19	206350
65	30	200	330	15	184034	200	330	15	184034	30	200	330	19	206446
80	30	200	330	21	183212	200	330	21	183212	30	200	330	26	204089
100	30	200	330	22	183213	200	330	22	183213	30	220	360	31	206513
125	30	200	330	28	184481	200	330	28	184481	30	240	400	36	206514
150	30	200	330	37	183214	200	330	37	183214	30	240	400	48	206516
200	40	280	430	53	183783	280	430	60	183627	40	280	450	73	184600
250	40	280	430	72	206550	280	450	84	183628	40	280	450	102	205292
300	40	280	430	81	184220	280	450	99	183640	40	280	450	142	184611
350	40	280	430	109	206677	280	450	143	183682	40	320	503	191	185346
400	40	280	450	150	206678	280	450	170	183634	40	320	530	245	206517
450	50	330	530	180	206679	330	550	187	206546	40	350	580	272	206518
500	50	330	530	206	206680	330	550	276	183702	40	350	580	347	198572
600	50	330	550	264	184918	330	550	395	183626	50	380	620	476	183856
700	50	330	550	329	210092	330	550	428	198954	50	400	660	627	236291
800	60	400	650	454	210082	400	670	565	184075	50	410	700	908	216741
900	60	400	650	537	236294	400	670	663	219967	50	420	700	1220	207134
1000	60	400	650	674	236295	400	670	887	236296	50	440	750	1374	218303
1100	70	450	730	810	236297	450	750	932	236298	50	440	750	1517	236299
1200	70	450	730	947	236301	450	750	1447	184329	50	450	750	1720	236302
1400	25	380	660	1202	MDC14DABH	380	660	1202	MDC14DAAH	25	500	830	2580	163600
1500	25	400	695	1525	MDC15DABH	400	695	1525	MDC15DAAH	25	500	835	2805	MDC15DADH
1600	25	420	720	1791	MDC16DABH	420	720	1791	MDC16DAAH	25	510	860	3132	MDC16DADH
1800	25	420	730	2118	MDC18DABH	420	730	2118	MDC18DAAH	25	550	920	3850	MDC18DADH
2000	25	450	780	2990	MDC20DABH	450	780	2990	MDC20DAAH	25	600	975	4560	MDC20DADH

Materials:

- Gasket: EPDM
- Tie bars: Zinc plated steel

Installation:

- Connection with all flanged parts equipped with standardized flanges in accordance with: ISO 7005-2 ISO 2531 - EN 1092-2
- The flange of the sliding body has a stop and thus a standardized sealing surface at the gasket.

SAINT-GOBAIN PAM worldwide

ALGERIA

SAINT-GOBAIN PAM ALGERIE
Z.I. Sidi Abdelkader-Ben Boulaïd - BP 538
09000 - BLIDA - Algeria
Phone: + 213 (0) 25 36 00 60

ARGENTINA

SAINT-GOBAIN PAM ARGENTINA
Bouchard y Enz
1836 - LLAVALLOL - BUENOS AIRES - Argentina
Phone: + 54 11 42 98 9600

AUSTRALIA

SAINT-GOBAIN PAM
15 Edgars Road
THOMASTOWN VIC 3074 - Australia
Phone: + 61 (0) 3 9358 6122

AUSTRIA

**SAINT-GOBAIN GUSSROHRVERTRIEB
ÖSTERREICH GmbH**
Archenweg, 52
A-6020 - INNSBRUCK - Austria
Phone: + 43 512 341 717-0

BELGIUM

SAINT-GOBAIN PIPE SYSTEMS
Raatshovenstraat, n°2
B-3400 - LANDEN - Belgium
Phone: + 32 11 88 01 20

BRAZIL

SAINT-GOBAIN CANALIZACAO LTDA
Praia de Botafogo 440 7º andar
22250-040 - RIO DE JANEIRO - RJ - Brazil
Phone: + 55 21 2128 1677

CHILE

SAINT-GOBAIN PAM CHILE
Antillanca Norte 600
Parque Industrial Vespucio, Comuna de Pudahuel
SANTIAGO DE CHILE - Chile
Phone: + 56 244 13 00

CHINA

SAINT-GOBAIN PAM CHINA (SHANGAI)
7th Floor, Office Tower
Bund Center - 222 Yan'an Road (East)
200002 - SHANGAI - China
Phone: + 86 21 6361 2142

SAINT-GOBAIN PAM CHINA (XUZHOU)

Dong Jiao Yangzhuang
PC 221004 - XUZHOU - Jiangsu Province - China
Phone: + 86 516 8787 8107

SAINT-GOBAIN PAM CHINA (MAANSHAN)

Hua Gong Road Cihu
PC 243052 - MAANSHAN Anhui Province - China
Phone: + 86 555 350 8040

COLOMBIA

SAINT-GOBAIN PAM COLOMBIA
Terminal terrestre de carga de Bogota
Etapa 1, Bodega 9, Modulo 3
Km 3,5 costado sur autopista - Medellin
COTA CUNDINAMARCA - Colombia
Phone: + 57 (1) 841 5832

CZECH REPUBLIC

SAINT-GOBAIN PAM CZ s.r.o.
Počernická 272/96
108 03 Praha 10 - Czech Republic
Phone: + 296 411 746

FINLAND

SAINT-GOBAIN PIPE SYSTEMS OY
Nuijamiestentie 3A
FIN-00400 - HELSINKI - Finland
Phone: + 358 207 424 600

FRANCE & DOM-TOM

SAINT-GOBAIN PAM (HEAD OFFICE)
21, avenue Camille Cavallier
54705 PONT-A-MOUSSON CEDEX - France
Phone: +33 3 83 80 73 50

SAINT-GOBAIN PAM

(France Commercial Department)
CRD - Chemin de Blénod - B.P. 109
54704 PONT A MOUSSON CEDEX - France
Phone: +33 3 83 80 73 00

SAINT-GOBAIN PAM

(Europe and International Commercial Departments)
21 avenue Camille Cavallier
54705 - PONT A MOUSSON CEDEX - France
Phone: + 33 3 83 80 67 89

SAINT-GOBAIN PAM

(Local Agency of The Antilles)
Rue Alfred Lumière - ZI de Jarry - BP 2104
97122 - BAIE MAHAULT - Guadeloupe
Phone: + 33 590 26 71 46

GERMANY

SAINT-GOBAIN PAM DEUTSCHLAND
Saarbrucker Strasse 51
66130 - SAARBRUCKEN - Germany
Phone: + 49 681 87 010

GREECE

SAINT-GOBAIN SOLINOUREGIA
5 Klissouras Str.
GR 14482 - METAMORFOSI - ATHENS - Greece
Phone: + 30 210 28 31 804

HONG KONG

SAINT-GOBAIN PIPELINES
H15/F Hermes Commercial Centre - 4-4A Hillwood Road
TSIM SHA TSUI - KOWLOON - Hong Kong
Phone: + 852 27 35 78 26

INDIA

SAINT-GOBAIN PAM
Grindwell Norton Ltd
5th Level, Leela Business Park - Andheri-Kurla Road
MUMBAI - 400059 - India
Phone: + 91 22 402 12 121

ITALY

SAINT-GOBAIN PAM ITALIA SPA
Via Romagnoli n°6
I-20146 - MILAN - Italy
Phone: + 39 02 42 431

JORDAN

SAINT-GOBAIN PAM REGIONAL OFFICE
Abu Zaid Center - Office # 8
35 Saad Bin Abi Waqqas St, - PO BOX 831000
11183 AMMAN - Jordan
Phone: + 962 6 551 4438

KENYA

SAINT-GOBAIN DEVELOPMENT EAST AFRICA LTD
83, Muthithi Road
P.O. Box 17915-00500
Westland Nairobi - Kenya
Phone: + 254 7 31 02 12 35

MOROCCO

SAINT-GOBAIN MAROC DEVELOPMENT
2 allée des Figuiers - Ain Sebaâ
CASABLANCA - Morocco
Phone: + 212 522 66 57 31

MEXICO

SAINT-GOBAIN PAM MEXICO
HORACIO 1855-502 - Colonia Los Morales - Polanco
11510 - MEXICO D.F. - Mexico
Phone: + 52 55 5279 1657

NETHERLANDS

SAINT-GOBAIN PIPE SYSTEMS
Markerkant 10-17
1316 - AB ALMERE - Nederland
Phone: + 31 36 53 333 44

NORWAY

SAINT-GOBAIN PAM NORWAY
Brobekkeveien 84
N-0614 OSLO - Norway
Phone: + 47 23 17 58 60

PERU

SAINT-GOBAIN PAM PERU
Avenida de los Paisanes N° 157 - Chorillos
LIMA 09 - Peru
Phone: + 511 252 40 34/35

POLAND

**SAINT-GOBAIN CONSTRUCTION PRODUCTS POLSKA
SP Z.O.O - PAM Business Unit**
Ul. Cybernetyki 21
PL-02-677 WARSZAWA - Poland
Phone: + 48 22 751 41 72

PORTUGAL

SAINT-GOBAIN PAM PORTUGAL
Est. Nac. 10 - Lugar de D. Pedro -Apartado 1708
P-2690-901 - SANTA IRIA DE AZOIA - Portugal
Phone: + 351 218 925 000

ROMANIA

**SAINT-GOBAIN CONSTRUCTION PRODUCTS
ROMANIA S.R.L. - PAM Business Unit**
Str. Tipografilor nr. 11-15
S-Park/Corp - B3 B4 - Sector 1 - Cod 013714
BUCHAREST - Romania
Phone: + 40 21 207 57 37

SLOVAKIA

**SAINT-GOBAIN CONSTRUCTION PRODUCTS
PAM Business Unit**
Stara Vajnorska 139
83102 - BRATISLAVA - Slovakia
Phone: + 421 265 45 69 61

SOUTH AFRICA

**SAINT-GOBAIN CONSTRUCTION PRODUCTS
PAM Business Unit**
N1 Business Park
Corner Olievenhoutbosch Road & Old Johannesburg Road
Samrand - PO BOX 700
GERMISTON - South Africa 1400
Phone: +27 12 657 2800

SPAIN

SAINT-GOBAIN PAM ESPANA
C/ Principe de Vergara, 132 planta 7
28002 - Madrid - Spain
Phone: + 34 91 397 20 00

UNITED ARAB EMIRATES

SAINT-GOBAIN PAM GULF
Jebel Ali Free Zone, Plot S10817
POBOX 261484
Dubai - United Arab Emirates
Phone: + 971 4 8011 800

UNITED KINGDOM

SAINT-GOBAIN PAM UK
Lows Lane - Stanton-by-Dale
ILLKESTON - DERBYSHIRE - DE7 4QU
United Kingdom
Phone: + 44 115 930 5000

VIETNAM

SAINT-GOBAIN PAM VIETNAM
IPC TOWER / LEVEL9
1489 Nguyen Van Linh Street
District 7
HO CHI MINH CITY - Vietnam
Phone: +84 8 39 30 72 73

www.pamline.com
www.pamline.fr

SAINT-GOBAIN PAM

Head office

21, avenue Camille Cavallier
54705 PONT-A-MOUSSON CEDEX
FRANCE
Phone : +33 (0) 3 83 80 73 50
Fax : +33 (0) 3 83 80 76 60

Water - Sewage - Municipal Castings Marketing

21, avenue Camille Cavallier
54705 PONT-A-MOUSSON CEDEX
FRANCE
Phone: +33 (0)3 83 80 67 89